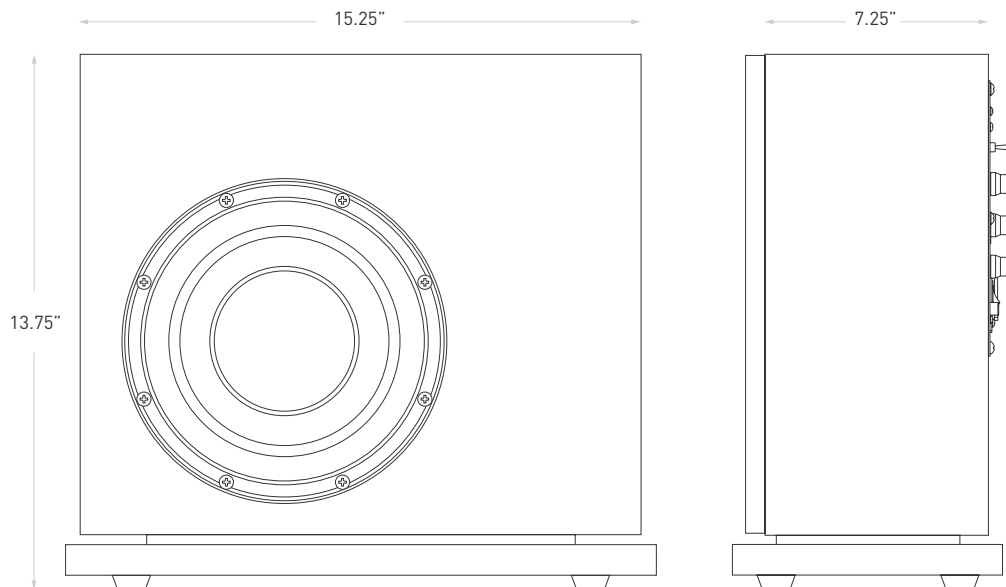


**Description**

The A8-200 subwoofer features an 8" high excursion driver powered by an ultra-efficient 200W on-board amplifier to reproduce low-end with impeccable clarity and precision. And at just 7.25" deep, the A8-200's ultra-thin design enables it to fit into virtually any application without sacrificing floor space—perfect for small to mid-size home theaters.

**Key Features**

- Features 8" high-excursion driver paired with an ultra-efficient 200W on-board amplifier
- Powered by an ultra-efficient 200W on-board amplifier
- Fully adjustable crossover and phase control
- Ultra-thin form factor fits seamlessly into any installation
- Fully-sealed enclosure produces tight, accurate bass response
- Optional down firing adaptor kit



## TECHNICAL SPECIFICATIONS

<b>Height</b>	13.75"	<b>Power Output</b>	150W RMS
<b>Width</b>	15.25"	<b>Max. Output</b>	180W peak
<b>Depth</b>	7.25"	<b>Freq. Resp.</b>	30-200Hz
<b>Weight</b>	20 lbs.	<b>Phase Adj.</b>	0-180°
<b>Material</b>	Sealed MDF enclosure	<b>Crossover</b>	50-200Hz Variable
<b>Finish</b>	Matte black (or any custom finish)	<b>Sensitivity</b>	90dB@1w/1m
<b>Grill</b>	Black Fabric (custom grills available)	<b>Amplifier</b>	Class D
<b>Input Options</b>	RCA Left/Right, LFE Line Level	<b>Other Features</b>	Auto-On, Auto-Off, Multi-Voltage Selector
<b>Impedance</b>	44KΩ	<b>Controls</b>	Power, Volume, Off/Auto/On, Phase, Crossover Frequency, Operating Voltage Selection
<b>Components</b>	8" High-Excursion Driver, 1.5" (38mm) Voice-Coil, Woven Fiberglass Cone with Rubber Surround		